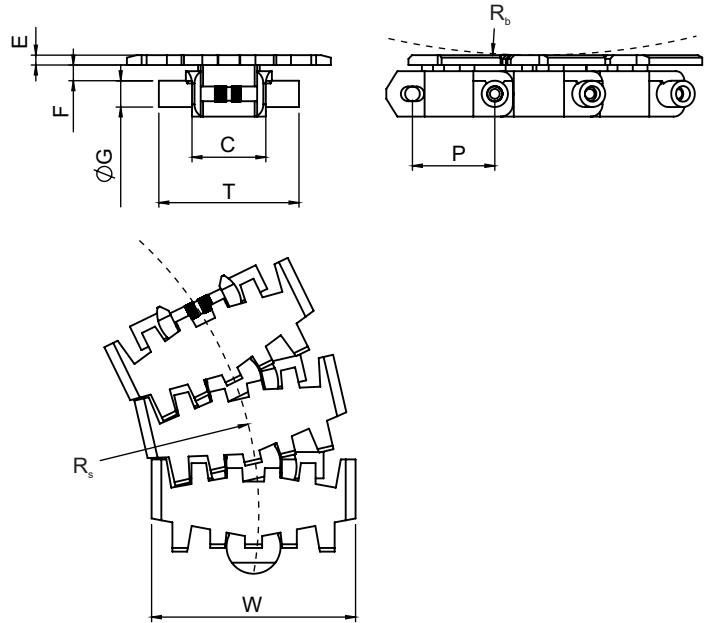
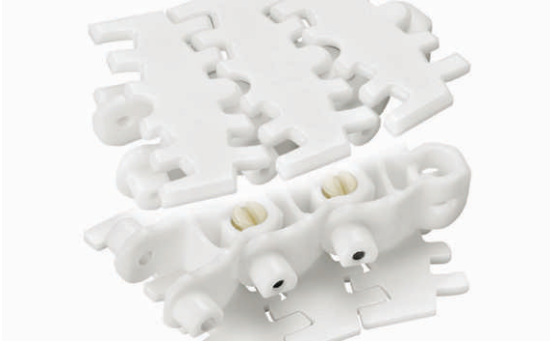




SP-63 FLEXI CHAIN



DIMENSION	mm	inch
E	4.00	0.16
F	6.40	0.25
ØG	7.90	0.31
C	21.1	0.83
T	37.1	1.46

Pin Material : Austenitic steel

Plate Materials : Polyacetal

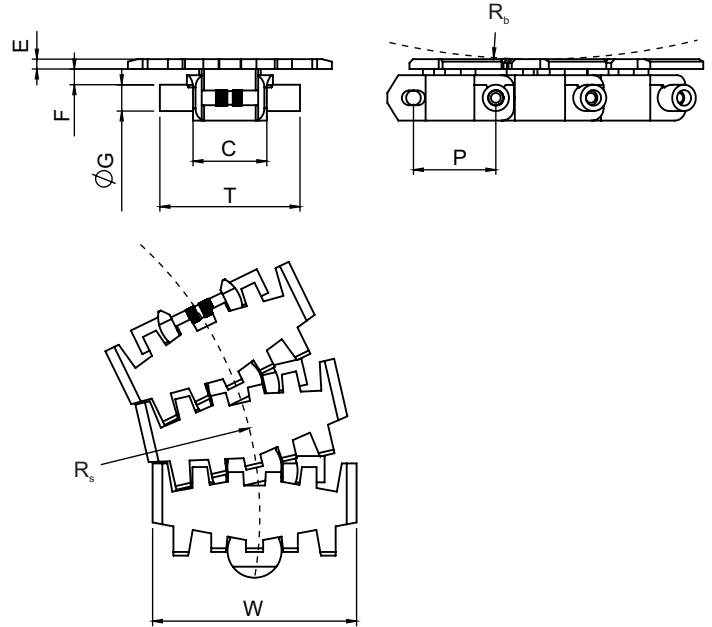
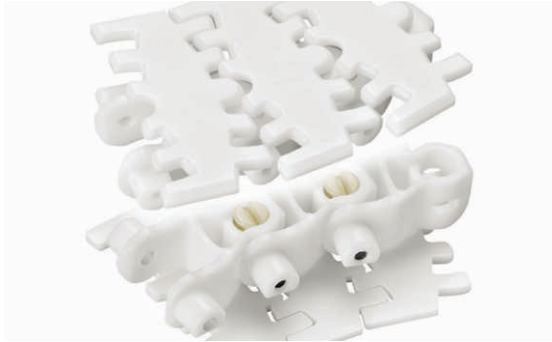
SP-63Flexi Chain

	Width W		Pitch (P)		Sideflex Radius (R _s)		Backflex Radius(R _b)		Weight (kg/m)
	(mm)	(inch)	(mm)	(inch)	(mm)	(inch)	(mm)	(inch)	
SP-63FC	63.0	2.48	23.5	1.00	150	5.91	70	2.76	0.73

* For Sprocket details contact our sales team.



SP-83 FLEXI CHAIN



DIMENSION	mm	inch
E	4.00	0.16
F	6.40	0.25
ØG	10.7	0.42
C	35.0	1.38
T	57.0	2.24

Plate Materials : Polyacetal

Pin Material : Austenitic steel

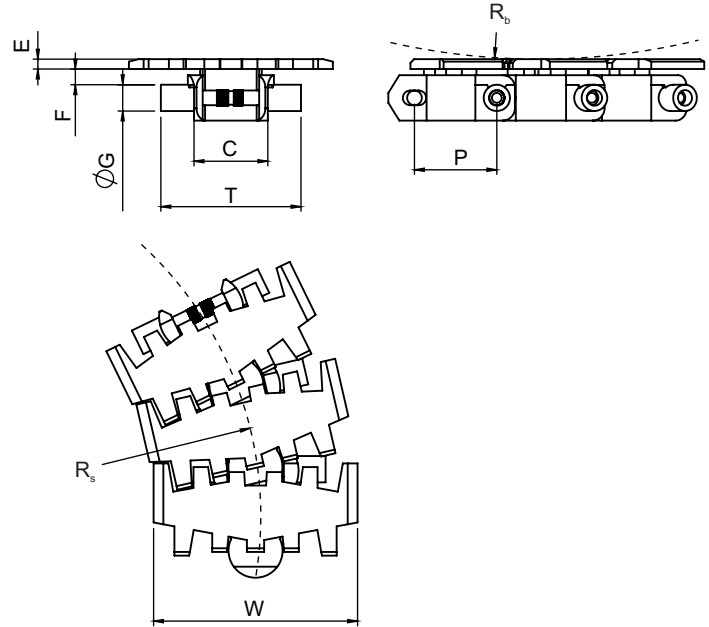
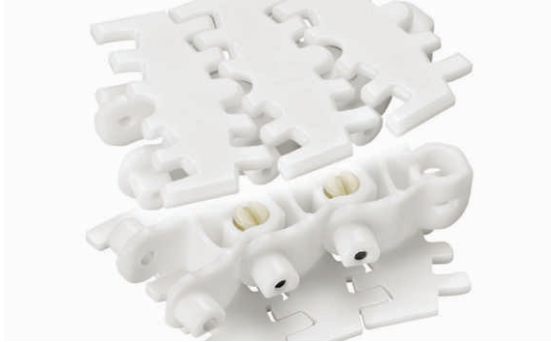
SP-83Flexi Chain

	Width W		Pitch (P)		Sideflex Radius (R _s)		Backflex Radius(R _b)		Weight (kg/m)
	(mm)	(inch)	(mm)	(inch)	(mm)	(inch)	(mm)	(inch)	
SP-83FC	83.0	3.27	33.5	1.32	160	6.30	90	3.54	1.19

* For Sprocket details contact our sales team.



SP-103 FLEXI CHAIN



DIMENSION	mm	inch
E	4.00	0.16
F	7.13	0.28
ØG	11.5	0.45
C	44.5	1.75
T	76.0	2.99

Plate Materials : Polyacetal

Pin Material : Austenitic steel

SP-103Flexi Chain

	Width W		Pitch (P)		Sideflex Radius (R _s)		Backflex Radius(R _b)		Weight (kg/m)
	(mm)	(inch)	(mm)	(inch)	(mm)	(inch)	(mm)	(inch)	
SP-103FC	103.0	4.06	35.5	1.40	170	6.69	100	3.94	1.64

* For Sprocket details contact our sales team.